

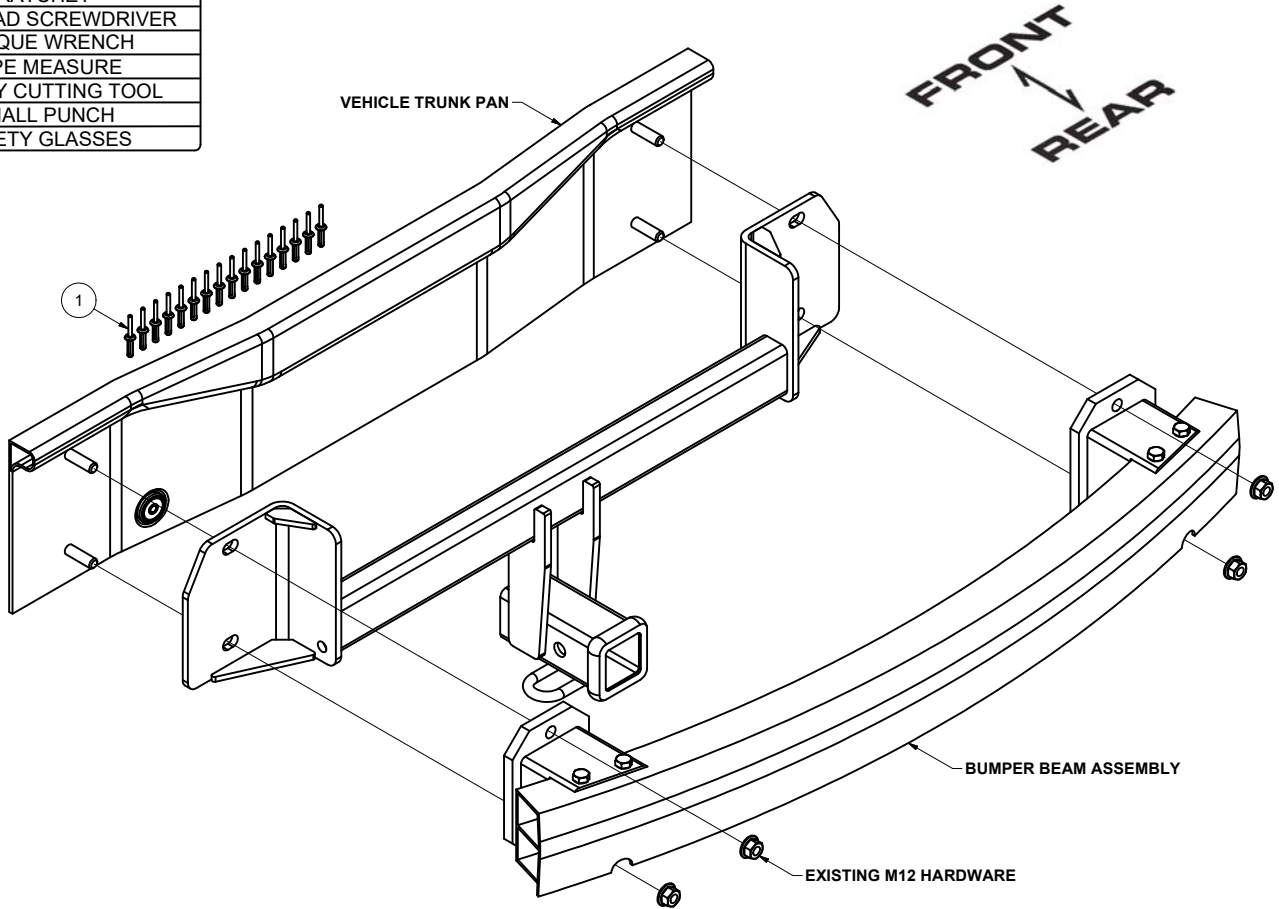
GROSS LOAD CAPACITY WHEN USED AS A WEIGHT CARRYING HITCH: 3,500 LBS. TRAILER WEIGHT & 350 LBS. TONGUE WEIGHT.
 GROSS LOAD CAPACITY WHEN USED AS A WEIGHT DISTRIBUTION HITCH: 4,000 LBS. TRAILER WEIGHT & 400 LBS. TONGUE WEIGHT

DO NOT EXCEED VEHICLE MANUFACTURER'S RECOMMENDED TOWING CAPACITY.

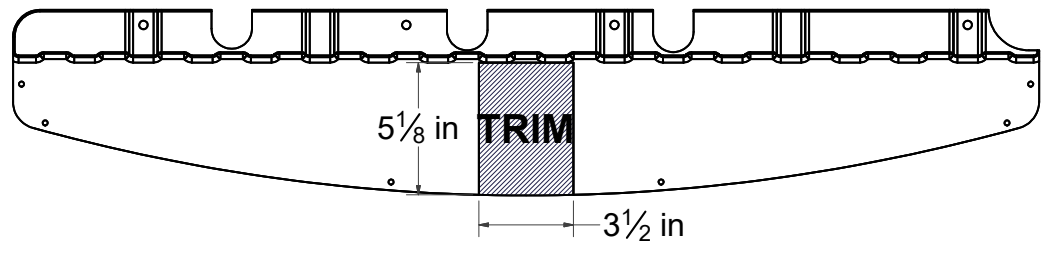
HAVING INSTALLATION QUESTIONS? CALL TECHNICAL SUPPORT AT 1-877-287-8634

Parts List			
ITEM	QTY	PART NUMBER	DESCRIPTION
1	16	10-10401	RIVET,M6,BLACK

TOOLS REQUIRED
PLASTIC RIVET GUN
8, 10, 18mm SOCKETS
RATCHET
FLAT HEAD SCREWDRIVER
TORQUE WRENCH
TAPE MEASURE
ROTARY CUTTING TOOL
SMALL PUNCH
SAFETY GLASSES



UNDERBODY PANEL TRIM DIAGRAM



HITCH WEIGHT: 27 LBS.

INSTALL TIME

PROFESSIONAL: 90 MINUTES

NOVICE (DIY): 180 MINUTES

INSTALL NOTES:

- REMOVE BUMPER
- TRIM UNDERBODY PANEL
- NO DRILLING REQUIRED

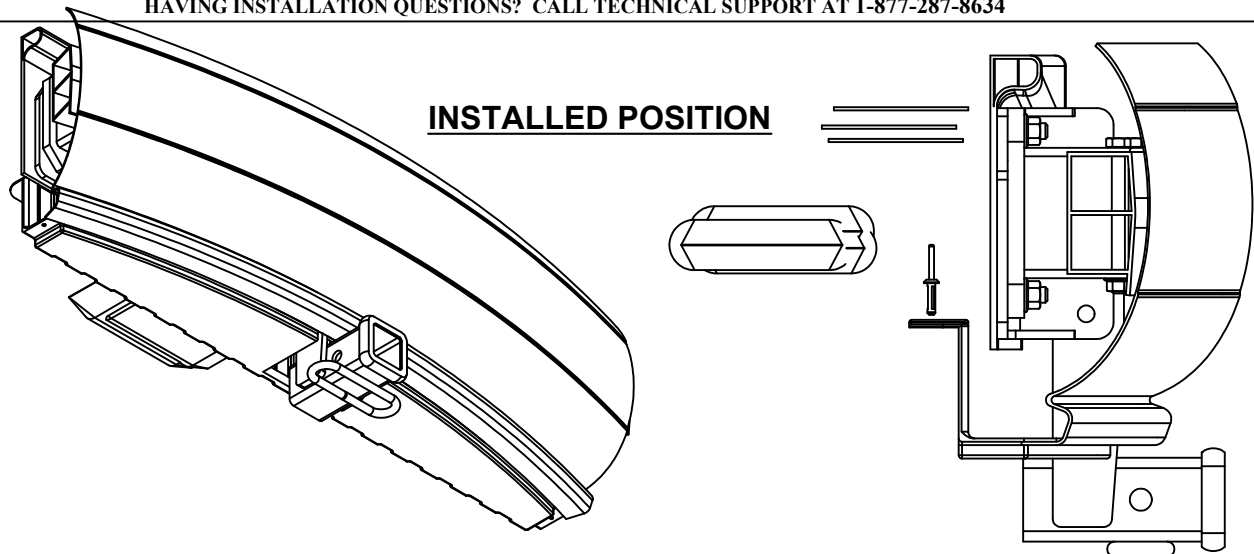
PERIODICALLY CHECK THIS RECEIVER HITCH TO ENSURE THAT ALL FASTENERS ARE TIGHT AND THAT ALL STRUCTURAL COMPONENTS ARE SOUND.

Curt Manufacturing LLC., warrants this product to be free of defects in material and/or workmanship at the time of retail purchase by the original purchaser. If the product is found to be defective, Curt Manufacturing LLC., may repair or replace the product, at their option, when the product is returned, prepaid, with proof of purchase. Alteration to, misuse of, or improper installation of this product voids the warranty. Curt Manufacturing LLC.'s liability is limited to repair or replacement of products found to be defective, and specifically excludes liability for incidental or consequential loss or damage.

GROSS LOAD CAPACITY WHEN USED AS A WEIGHT CARRYING HITCH: 3,500 LBS. TRAILER WEIGHT & 350 LBS. TONGUE WEIGHT.
 GROSS LOAD CAPACITY WHEN USED AS A WEIGHT DISTRIBUTION HITCH: 4,000 LBS. TRAILER WEIGHT & 400 LBS. TONGUE WEIGHT

DO NOT EXCEED VEHICLE MANUFACTURER'S RECOMMENDED TOWING CAPACITY.

HAVING INSTALLATION QUESTIONS? CALL TECHNICAL SUPPORT AT 1-877-287-8634



INSTALLATION STEPS

1. Remove underbody panel by removing (11) fasteners. Some models may require removal of (9) fasteners.
2. Remove (2) fasteners from bottom of bumper cover and (1) fastener from inside wheel well on each side. These are located behind rear tire. Some models may require removal of (1) plastic rivet from bottom of bumper on each side.
3. Remove (7) rivets from wheel well trim from above each rear tire. To remove rivets push small center rod through rivet with a small punch or an equivalent tool. Pry rivets from trim and pop trim off. **Note:** Replacement rivets are included.
4. Remove (2) fasteners from each side of bumper cover which are now accessible due to wheel well trim removal.
5. Pop off plastic covers located to the inside of each tail light.
6. Remove (2) nuts from each tail light. Unplug and remove each tail light.
7. Remove (1) fastener from under each tail light.
8. Pop (2) reflectors off of bumper cover and remove (1) fastener from under each.
9. Carefully remove bumper cover. Pop sides off first and then pull straight back.
10. Remove (2) inner plastic bodies by removing (4) nuts from each.
11. Remove bumper beam assembly by removing (4) nuts from threaded studs. These nuts will be used to install hitch.
12. Raise hitch and bumper beam into position onto threaded studs and secure to vehicle using the M12 nuts removed in STEP 11.
13. Torque all M12 hardware to 86 ft-lbs.
14. Hold inner plastic bodies in position and mark where the hitch side plates interfere. Trim an approximate 3/8" wide by 7/8" deep slot into each inner plastic body to allow for side plate clearance.
15. Reinstall bumper cover and tail lights by reassembling components removed in STEPS 2-10 in reverse order. **Note:** A plastic rivet gun is required to fasten supplied rivets when reinstalling wheel well trim.
16. Raise underbody panel into position and mark the center using the hitch as a guide. Trim underbody panel. See UNDERBODY PANEL TRIM DIAGRAM on PAGE 1. Reinstall underbody panel and discard extra fastener.

PERIODICALLY CHECK THIS RECEIVER HITCH TO ENSURE THAT ALL FASTENERS ARE TIGHT AND THAT ALL STRUCTURAL COMPONENTS ARE SOUND.



Safety glasses should be worn at all times while installing this product.

YEARS: 2011-PRESENT
2016-PRESENT

MAKE: BMW

MODEL: X3
X4

STYLE: SUV
CROSSOVER

WARNING: NEVER EXCEED YOUR VEHICLE MANUFACTURER'S RECOMMENDED TOWING CAPACITY

WEIGHT CARRYING:
TRAILER WEIGHT: 3,500 LBS.
TONGUE WEIGHT: 350 LBS.

WEIGHT DISTRIBUTION:
TRAILER WEIGHT: 4,000 LBS.
TONGUE WEIGHT: 400 LBS.

INSTALLATION TIME: 90 MIN.

THE INSTALL TIME LISTED IS FOR PROFESSIONAL INSTALLERS. IF YOU ARE HESITANT TO UNDERTAKE THIS TASK ON YOUR OWN, CONTACT AN AUTHORIZED CURT INSTALLER FOR ADDITIONAL ASSISTANCE.

INSTALLATION TIPS:

- BEFORE YOU BEGIN INSTALLATION, READ ALL INSTRUCTIONS THOROUGHLY.
- TO EASE INSTALLATION, 2 PEOPLE MAY BE REQUIRED.
- USING PROPER TOOLS WILL GREATLY IMPROVE THE QUALITY OF THE INSTALL AND REDUCE THE TIME REQUIRED.
- NEED HELP OR HAVE SOME QUESTIONS? CALL TECHNICAL SUPPORT AT 877.287.8634

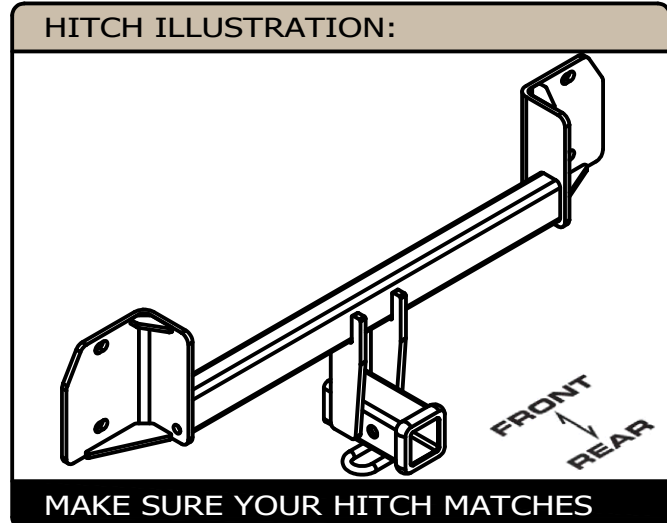


INSTALLATION REQUIRES:

 PLASTIC RIVET GUN	 8mm 10mm 18mm SOCKET	 RATCHET
 SCREW DRIVER	 TORQUE WRENCH	 TAPE MEASURE
 ROTARY TOOL	 SMALL PUNCH	 SAFETY GLASSES

LEVEL OF DIFFICULTY: CHALLENGING

EASY	MODERATE	CHALLENGING
 PART REMOVAL	REMOVE BUMPER	
 TRIM	TRIM UNDERBODY PANEL	
 NO DRILLING REQUIRED	NO DRILLING REQUIRED	



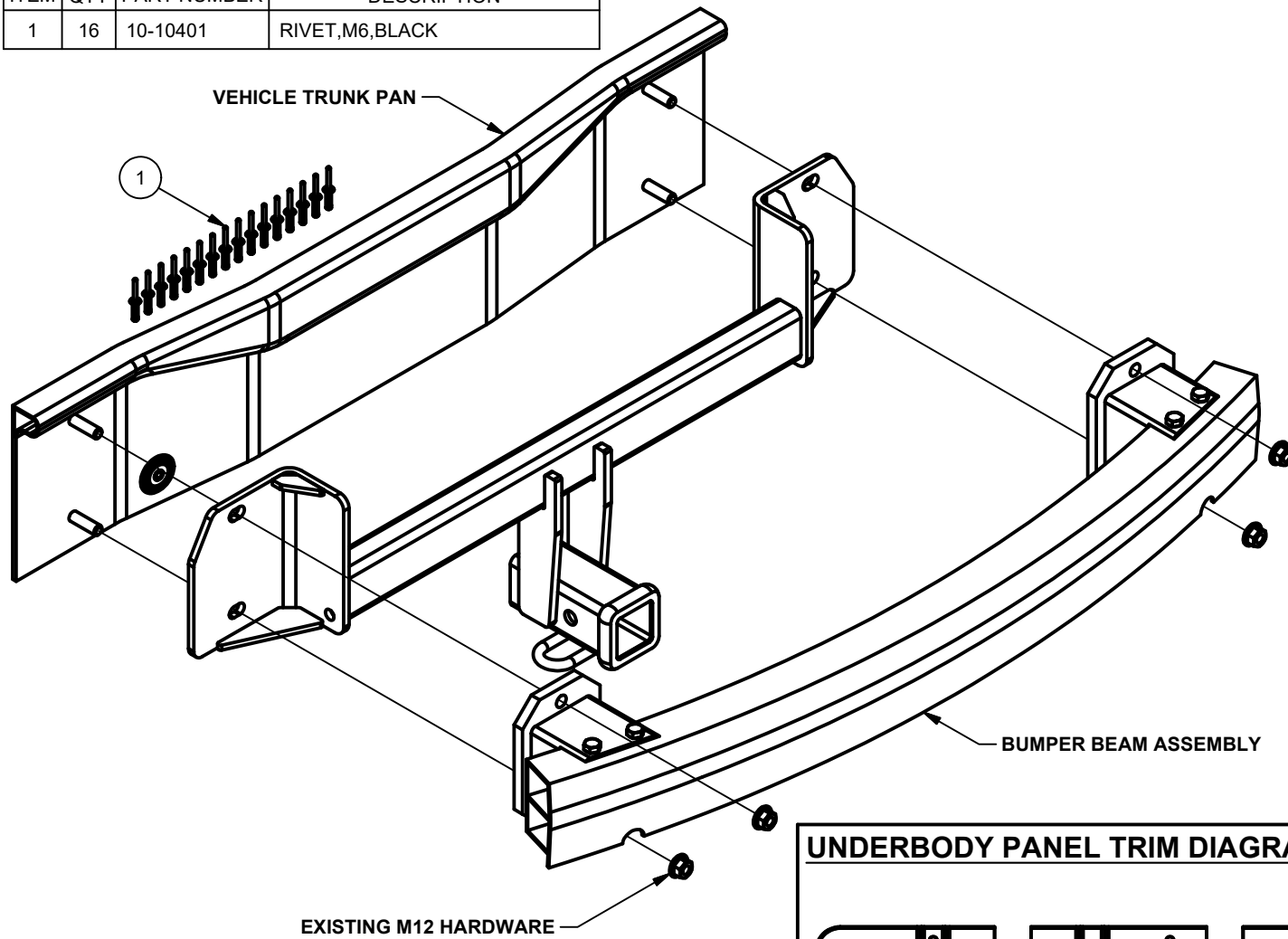
PERIODICALLY CHECK THIS RECEIVER HITCH TO ENSURE ALL FASTENERS ARE TIGHT AND ALL STRUCTURAL COMPONENTS ARE SOUND

CURT Manufacturing LLC. warrants this product to be free of defects in material and/or workmanship at the time of retail purchase by the original purchaser. If the product is found to be defective, Curt Manufacturing LLC. may repair or replace the product at their option, when the product is returned, prepaid, with proof of purchase. Alteration to, misuse of, or improper installation of this product voids the warranty. Curt Manufacturing LLC.'s liability is limited to repair or replacement of products found to be defective, and specifically excludes liability for incidental or consequential loss or damage.

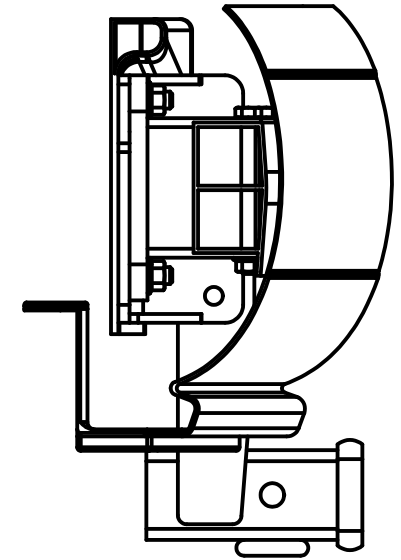
For more information log onto www.curtmfg.com, & for helpful towing tips log onto www.hitchinfo.com

INSTALLATION WALKTHROUGH:

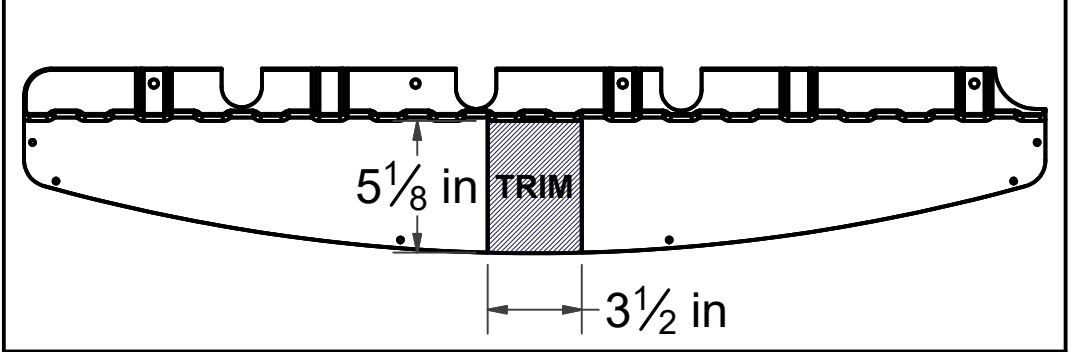
Parts List			
ITEM	QTY	PART NUMBER	DESCRIPTION
1	16	10-10401	RIVET,M6,BLACK



INSTALLED POSITION



UNDERBODY PANEL TRIM DIAGRAM



INSTALLATION WALKTHROUGH:

1. Remove underbody panel by removing (11) fasteners. Some models may require removal of (9) fasteners.



2. Remove (2) fasteners from bottom of bumper cover and (1) fastener from inside wheel well on each side. These are located behind rear tire. Some models may require removal of (1) plastic rivet from bottom of bumper on each side.



3. Remove (7) rivets from wheel well trim from above each rear tire. To remove rivets push small center rod through rivet with a small punch or an equivalent tool. Pry rivets from trim and pop trim off. **Note:** Replacement rivets are included.



4. Remove (2) fasteners from each side of bumper cover which are now accessible due to wheel well trim removal.



INSTALLATION WALKTHROUGH:

5. Pop off plastic covers located to the inside of each tail light.



6. Remove (2) nuts from each tail light. Unplug and remove each tail light.



7. Remove (1) fastener from under each tail light.



8. Pop (2) reflectors off of bumper cover and remove (1) fastener from under each.



INSTALLATION WALKTHROUGH:

9. Carefully remove bumper cover. Pop sides off first and then pull straight back.



10. Remove (2) inner plastic bodies by removing (4) nuts from each.



11. Remove bumper beam assembly by removing (4) nuts from threaded studs. These nuts will be used to install hitch.



12. Raise hitch and bumper beam into position onto threaded studs and secure to vehicle using the M12 nuts removed in STEP 11.



INSTALLATION WALKTHROUGH:

13. Torque all M12 hardware to 86 ft-lbs.



14. Hold inner plastic bodies in position and mark where the hitch side plates interfere. Trim an approximate 3/8" wide by 7/8" deep slot into each inner plastic body to allow for side plate clearance.



15. Reinstall bumper cover and tail lights by reassembling components removed in STEPS 2-10 in reverse order.
Note: A plastic rivet gun is required to fasten supplied rivets when reinstalling wheel well trim.



16. Raise underbody panel into position and mark the center using the hitch as a guide. Trim underbody panel. See UNDERBODY PANEL TRIM DIAGRAM on PAGE 2. Reinstall underbody panel and discard extra fastener. Install is complete.

